

# VISION-3 LIGHTING

## Rear Mount Metal Halide Flood **MODEL FL6** 39 Watt Max., PAR20 Metal Halide 39 Watt Max., GU6.5 Base T4 Metal Halide

**Specifications:**

**Body:** Machined 6061-T6 aluminum or C36000 brass body with 18-8 stainless steel hardware.

**Knuckle:** Machined 6061-T6 aluminum or C36000 brass mounting knuckle with a 1/2" NPS threaded male fitting allows a full range of mounting positions. Double taper design (U.S. Patent #6,966,679) allows fixture to hold position during aiming and ensures a solid lock when tightened. Integral high temperature silicone o-ring prevents leaking between housing and knuckle. Rotate and Lock design (U.S. Patent #7,108,405 & #7,458,552) allows for full 360° horizontal aiming and locking. See Model MO7 - Rotate and Lock submittal for specifications.

**Cap:** Machined 6061-T6 aluminum or C36000 brass caps come in seven styles, lock in place with one 18-8 stainless steel set screw, and are sealed to the body with a high temperature silicone O-ring. Regressed caps have drain holes for water drainage from top of lens if mounted in the up position. All caps accept up to three internal accessories, held in place by a stainless steel clip.

**Finish:** TGIC thermo set polyester powder coat paint available in 14 standard colors. On aluminum model, finish is applied over a corrosion resistant, hexavalent chromium free, RoHS compliant coating. Aluminum model available in one additional metal finish: Clear Anodized. Brass model available in three additional metal finishes: Natural, Polished, and Aged.

**Socket:** Medium base porcelain socket with nickel-plated copper contacts and 600V, 250° C, PTFE coated 18 ga leads (PAR20 lamps), or GU6.5 bi-pin porcelain socket with nickel-plated copper contacts and 600V, 250° C, PFA coated 18 ga leads (T4 lamps).

**Lamp:** Medium base PAR20 or GU6.5 base T4 Metal Halide lamp up to 39W (ballast required).

**Lens:** 1/8" thick, tempered, clear lens, secured to cap with a high temperature, UV curing, silicone adhesive.

**Certification:** CSA tested & certified to US and Canadian safety standards per UL1598 & CSA C22.2 No. 250-08 for the following applications:

Wet location landscape use:

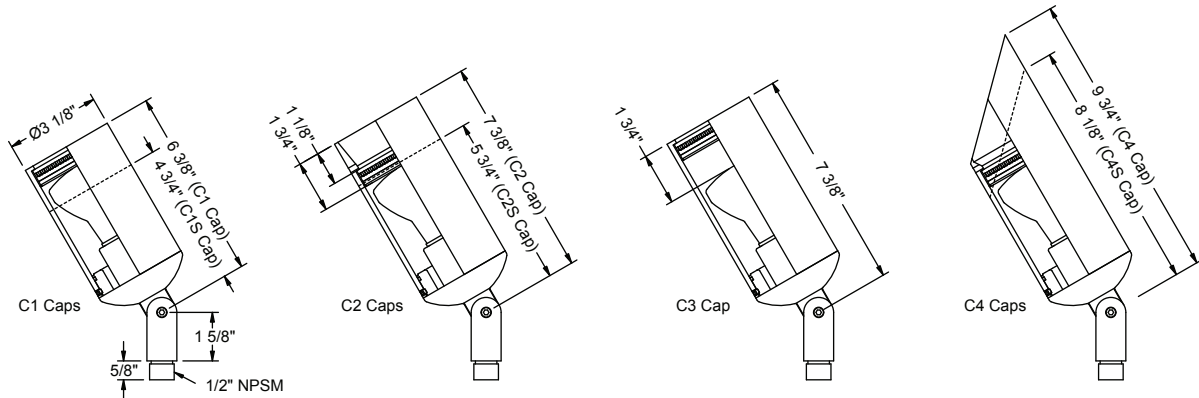
**FL6(A&B) - 39W Max. T4 or PAR20 Metal Halide lamp.**

Wet location wall mount use:

**FL6(A&B) - 39W Max. T4 or PAR20 Metal Halide lamp (FL6B can not be used on the BM7 mount).**

Wet location ceiling mount use:

**FL6(A&B) - 20W Max. T4 or 39W Max. PAR20 Metal Halide lamp (integral ballast mounts can not be used).**



**Ordering Information:**

Model	Finish	Cap <sup>1</sup>	Knuckle	Lamp <sup>3</sup>	Lens Accy	Filter	Louver	Ballast Catalog String <sup>3</sup>
FL6A - Aluminum	BL - Black	Standard:	K2 - Rotate & Lock <sup>2</sup>	0 - None	0 - None	0 - None	0 - None	Fixture must be specified with one of the following ballasts: <b>BM1</b> - Stake Mount Ballast (20W & 39W) <b>BM2</b> - In-Ground Ballast (39W only) <b>BM3</b> - In-Ground Remote Ballast (39W only) <b>BM4</b> - Wall Mount Remote Ballast (20W & 39W) <b>BM6</b> - Wall Mount Canopy Ballast (20W & 39W) <b>BM7</b> - Wall Mount Canopy Ballast (20W only) <sup>4</sup>
FL6B - Brass <sup>4</sup>	BLT - Textured Black	C1 - Flush	<b>Lamp Type<sup>3</sup></b> PAR20MH - PAR20 MH T4-SP - T4 MH w/ Spot Optics T4-NFL - T4 MH w/ Narrow Flood Optics T4-FL - T4 MH w/ Flood Optics	T4 Metal Halide:	L1 - Spread Lens	F1 - Red	H1 - Honeycomb Louver	
	BN - Bronze	C2 - Regress Lens		101 - 20W, CMH20T	L2 - Linear Lens	F2 - Blue		
	BNT - Textured Bronze	C3 - Regress Lamp		114 - 39W, CMH39T	L3 - Softening Lens	F3 - Light Blue		
	BAT - Textured Bark	C4 - 45° Angled		PAR20 Metal Halide:		F4 - Green		
	WI - White	Short:		32 - 39W, PAR20MH, 10° Spot		F5 - Amber		
	GRT - Textured Green	C1S - Flush		33 - 39W, PAR20MH, 30° Flood		F6 - Pink		
	SI - Silver	C2S - Regress Lens						
	GY - Grey	C4S - 45° Angled						
	BE - Beige							
	GNT - Textured Granite							
	SAT - Textured Sand							
	PAT - Textured Patina							
	EAT - Textured Earth							
	CLA - Clear Anodized (FL6A only)							
	NAT - Natural (FL6B only)							
	POL - Polished (FL6B only)							
	AGE - Aged (FL6B only)							

**Notes:**

- 'Short' caps can only be used with T4MH lamps.
- K2 knuckle is protected under U.S. Patents #6,966,679, #7,108,405 and #7,458,552.
- See ballast submittal for specifications, limitations, and correct catalog number logic. Ballast type and wattage must match lamp type and wattage.
- FL6B can not be mounted on the BM7 ballast because of heat issues.
- Specifications, certifications, and ordering information are subject to change. Please check website for latest specification sheets.

**Example: FL6B - BN - C3 - K2 - PAR20MH - 32 - L1 - F2 - H1 - Ballast Catalog String**